


OD12R

Intelligent Optical Smoke Detector



- Live indicator LED
- Optical detection
- Clearable optical cell
- Impurity compensation
- Locked or auto reset selectable
- Protection cover
- Smart algorithm
- Microprocessor controlled
- Compatible with all alarm panels
- Gives notification during if detector remove from base
- Supply voltage range is 10 – 15V DC
- EN54-7 Approved

Technical Specifications

Model	OD12R
Environmental class	II indoor
Electrical	
Supply voltage range	10-15V DC
Standby current	<40 μ A
Alarm current	<20mA
Alarm indicator	LED Red
Live indicator LED	LED Green
Reset	Auto / Locked
Out type	Relay
Sensor type	IR
Impurity compensation	Available
General	
Housing material	ABS Plastic
Housing shape	Standard
Extrenal cover color	White
Protective cover	Available
Pin	6
Base	ECDB6
Operating Temperature	-10°C~+50°C
Operating Humidity	%90RH
Dimension (WxDxH)	\varnothing 105x50mm
Weight	110g
Standard No	EN54-7
Year of manufacture	The first 2 digits of the serial number on the product indicate the production date (the number on the label of the product).
Manufacturer	EDS Elektronik Destek Sanayi ve Ticaret Ltd. Meclis Mah. Teraziler Cad. Hayran Sk. No: 4 34785 Sancaktepe / Istanbul / TURKEY
Recycle	

Optional Accessories

Accessories	
ECDB6	Detector base for OD12R
ECDB6-D	Deep base

Detector base for OD12R



Deep Base



Description

Optical smoke detector gives alarm by detecting the environmental smoke at house and commercial areas. It can be used indoors with its compact and elegant design. It is suitable for use at house, office, bank, school, kitchen, retail stores and many areas.

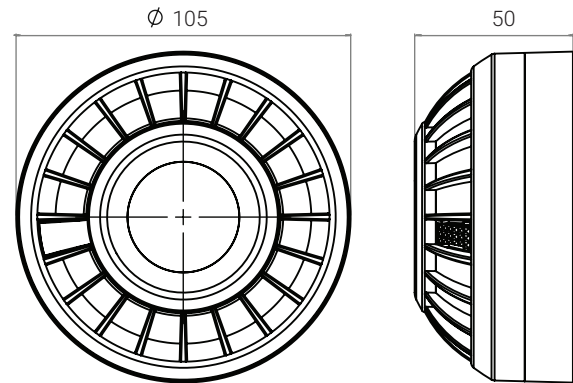
The impurity compensation is a microprocessor controlled and smart algorithm compensating the pollution of the optical cell up to a particular limit.

The green color live indicator LED shows that the detector is in working order by lighting in every 8 seconds.

Order Information

P/N	Description
OD12R	Intelligent optical smoke detector
ECDB6	Detector base for OD12R
ECDB6-D	Deep base

Dimensions (mm)



10.19.V2

Technical specifications are subject to change without prior notice.



Scan this code with your
smartphone to visit
www.edselectronic.com

EDS ELEKTRONIK DESTEK SAN. TIC. LTD. STI
+90 216 528 45 00
eds@eds.com.tr
www.edselectronic.com.tr