

ECB20R Resettable Manual Call Point

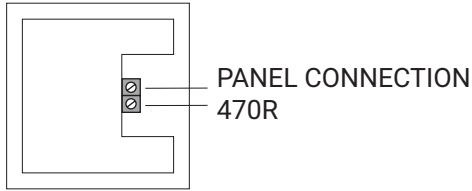


- Resettable Call Point
- Shatter-proof material
- Stylish design
- 470 Ohm resistor
- Indoor usage
- IP24 Protection
- Standard BSI EN54-11
- Compatible with all conventional fire alarm panels

Technical Specifications

Model	ECB20R
Environmental class	II indoor
Electrical	
Alarm resistor	470 Ohm
Alarm current	<70mA
General	
Housing material	ABS Plastic
Housing shape	Standard
External cover color	Red
Button glass	Resettable
Protection class	IP24
Cable diameter	0.5-1.5mm
Operating Temperature	-10°C / +55°C
Dimension (HxWxD)	86x86x39mm
Weight	97g
Certification	
Certification body	BSI
Notified Body Number	0086
Certification no	0086-CPR-636147
Standard no	EN 54-11:2001 + A1:2005
Class no	FV-2

Connections



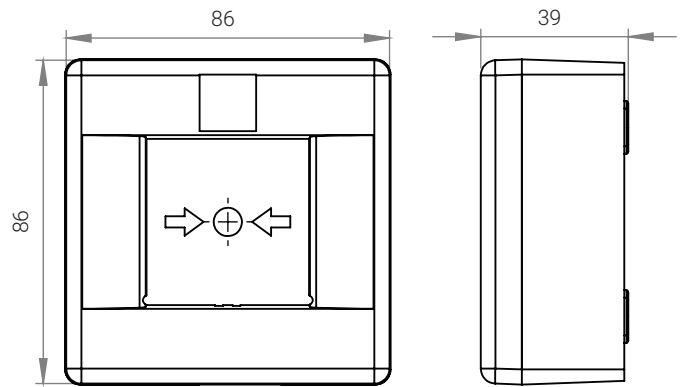
Description

Resettable manual call point is innovatively designed for verification in case of fire and emergency by pushing button to activate the audible warning with EN 54-11:2001 + A1:2005 certification.

Ordering Information

P/N	Description
ECB20R	Conventional Resettable Manual Call Point

Dimensions (mm)



VS. 09.04.2019